

> < ? J G H C > H < H > Q B D LDD-V100

INSTRUCTION

- Unique door damper applicable to door weight up to 100 kg.
- Suitable for door weight 40~100 kg.
- Damper body is completely hidden when the door is closed.
- Damper and door pull-in functions work just before the door fully closes, preventing the door from slamming shut.
- Door can be opened more easily as compared with door closer.
- Damper force is adjustable.
- FhglZgZyieZklbgZklj\_of\_ighcj\_inebjhthc
- Fh\_lbkivevahZlvkykhke\_mxsbfbi\_leyfb
  - HES3D-E190
  - HES3D-160

LDD-V100-NI-L



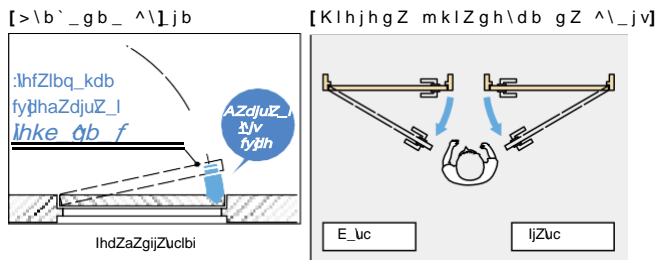
lhjdjlthgllghcieZlbu (Gbd\_ev/L\_fghdhjbqg\_uc

[Applications]

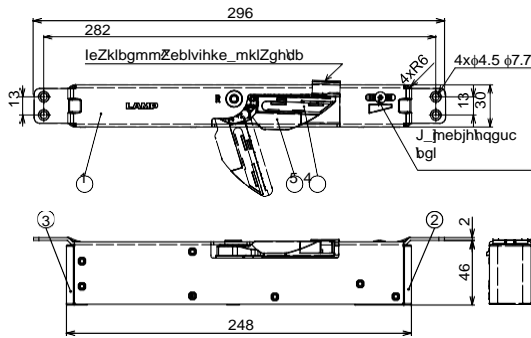
- Heavy duty interior door (shop, housing)

[Parts Included]

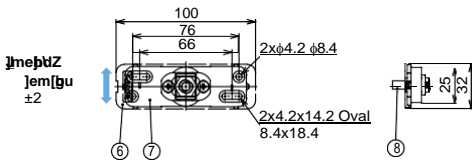
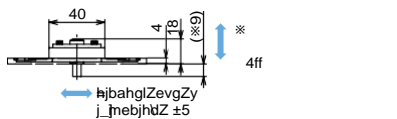
- Tapping screw 3.5×20
- Attachment Jig
- Cutout template



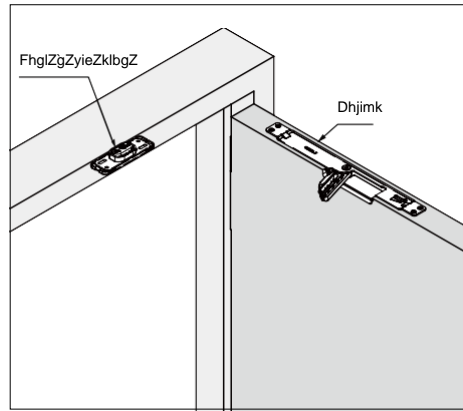
[Dhjmk]



[FhglZyieZlbgZ]



● MklZghthZ



No.	≥Izeb	FZI_jbZe	Hl^edZ/ P <sub>l</sub>
①	Nmleyj	MEV (SPCC)	Gbd_ev
②	≥fin_j	POM	K_juc
③	ljmbgZ	POM	K_juc
④	lhjdjlb_jmdhyldb	POM	K_juc
⑤	JmdhyldZ	PbgdkieZ <sub>l</sub> (ZDC)	Gbd_ev
⑥	lhjdjlb_fhglZieZklbgg	ABS	L_fghdhjbqg /Gbd_ev
⑦	HkghZgb_fhglZieZklbgg	PbgdkieZ <sub>l</sub> (ZDC)	-
⑧	Kl_j_gvfhglZieZklbgg	KIZev (SUM)	Gbd_ev

:jlbme	GZaZgb_	Lbi	lhjdjlb_fhglieZkl	Rb <sub>l</sub> jlLhesbgZ <sub>l</sub> jsck <sub>l</sub> jlj	<kj	Dhjhtl	MiZdrl
270-034-821	LDD-V100-DBR-R	ljZuc	L_fghdhjbqg	Max. 900	40~60	40~100	920
270-034-822	LDD-V100-DBR-L	E_uc					920
270-034-823	LDD-V100-NI-R	ljZuc	920				
270-034-824	LDD-V100-NI-L	E_uc	920				