

FLUSH SLIDING DOOR SYSTEM

MFU-1000

MonoFlat UNISON®

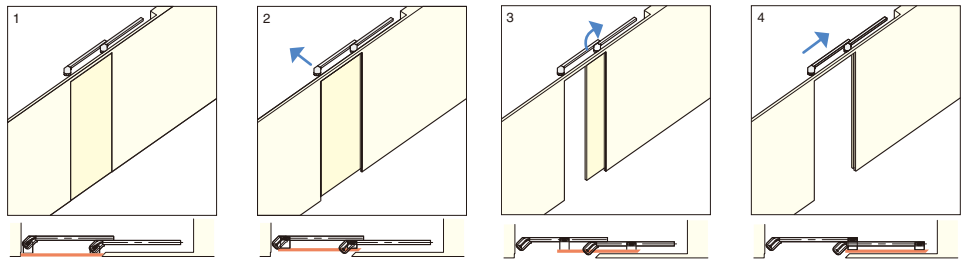
Door Width	800 - 1000 mm
Door Height	Max. 2500 mm
Door Thickness	*28 - 30 mm
Door Weight	Max. 30 kg
Adjustability	Depth: ±3.5 mm
	Horizontal: ±4 mm
	Vertical: ±4 mm

*Can be used on door thicker than 30 mm by mortising hanging bracket into the door.

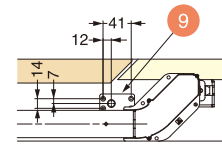
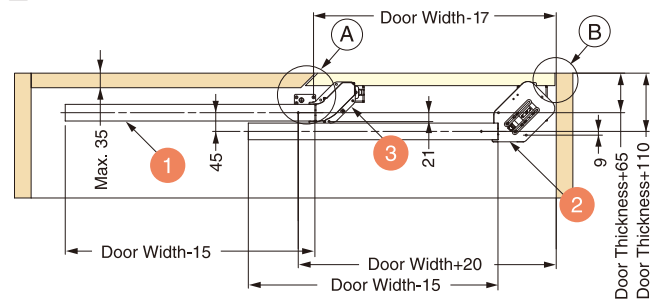
■ Features

- Flush Surface
Door will be "flush" against surrounding walls, providing clean appearance.
- Unique Movement
Door moves in first and slides sideways.
- Clean Appearance
No bottom rail required.

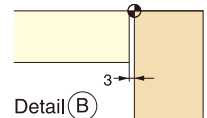
■ How the Door Moves



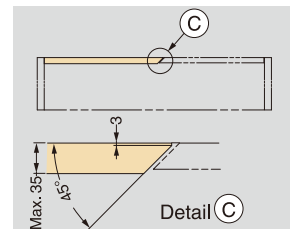
■ Installation



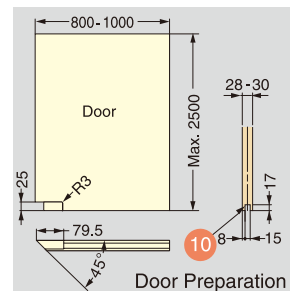
Detail (A)



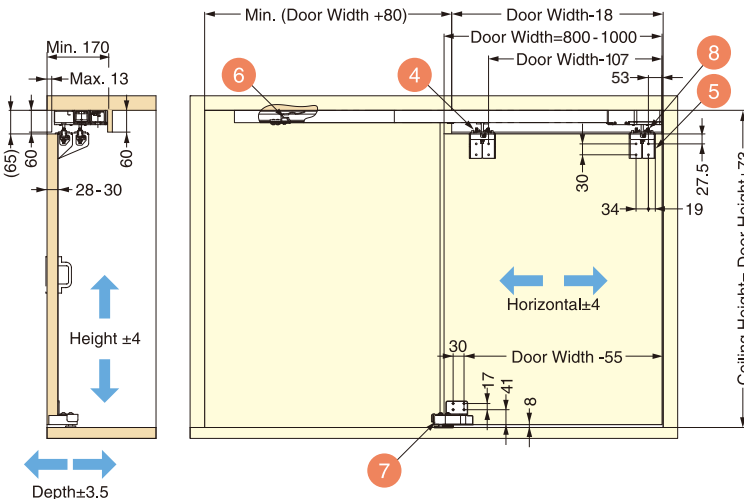
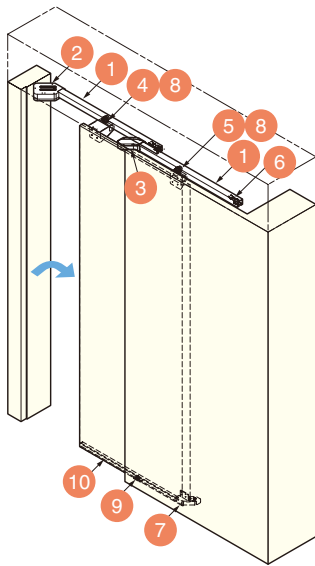
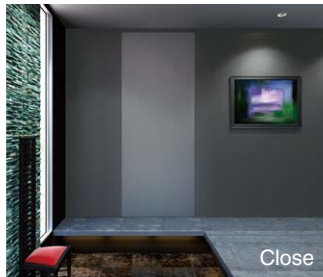
Detail (B)



Detail (C)



Door Preparation



WARDROBE & CABINET DOOR HARDWARE

FLUSH SLIDING DOOR SYSTEM

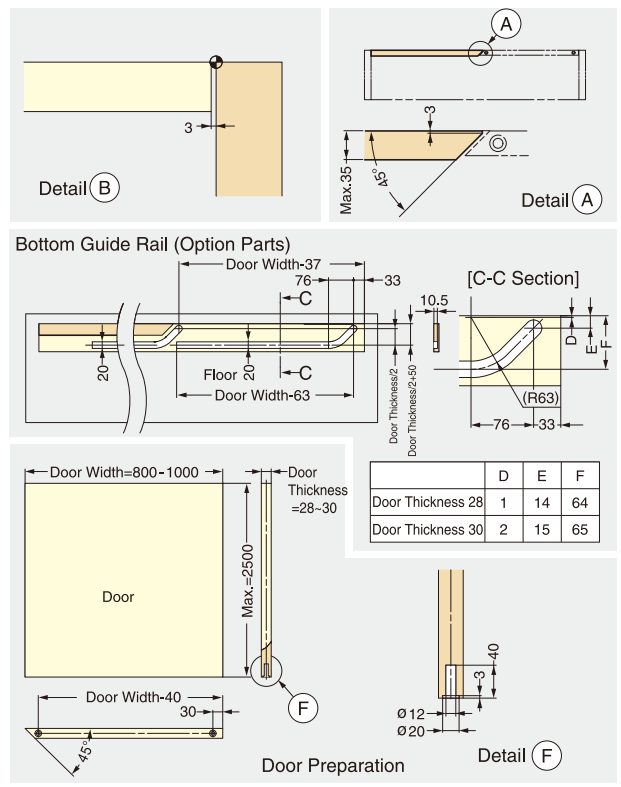
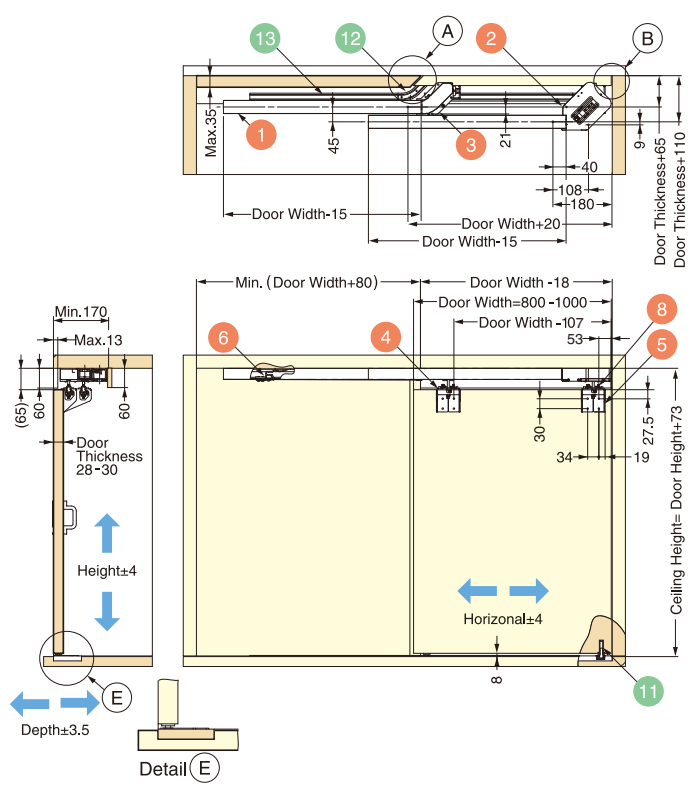
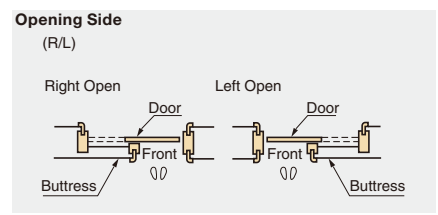
Parts Set (Per Door)		
Item Code	Item Name	Description
250-022-021	MFU-1000-R	Door slides from Right to Left
250-022-022	MFU-1000-L	Door slides from Left to Right

Parts Included

No.	Qty	Part Name	Dimensions	Description
1	2 pcs	Upper Track		<ul style="list-style-type: none"> Material Aluminium Finish Anodized
2	1 pc	Guide Block		<ul style="list-style-type: none"> Material Aluminium, Polycarbonate Finish Silver White
3	1 pc	Guide Block		<ul style="list-style-type: none"> Material Aluminium Finish Silver
4	1 pc	Upper Bracket A		<ul style="list-style-type: none"> Material Steel Finish Chromate
5	1 pc	Upper Bracket B		<ul style="list-style-type: none"> Material Steel Finish Chromate

No.	Qty	Part Name	Dimensions	Description
6	1 pc	Stopper		<ul style="list-style-type: none"> Material PBT / Steel Finish White / Yellow Zinc Chromate
7	1 pc	Lower Guide		<ul style="list-style-type: none"> Material Steel Finish Chromate
8	2 pcs	Upper Roller		<ul style="list-style-type: none"> Material POM / Steel Finish Natural / Chromate
9	1 pc	Bottom Guide Pin		<ul style="list-style-type: none"> Material Polyamide Finish Yellow Zinc Chromate / Light Brown
10	1 pc	Guide Track		<ul style="list-style-type: none"> Material Aluminium Finish Anodized

Optional Parts		For floor mounted recessed guide track.		
Item Code	Item Name	Description	Parts Included	
250-023-148	MFU-1000RG-SL-R	Door slides from Right to Left	11 2pcs	12 2pcs 13 2pcs
250-023-149	MFU-1000RG-SL-L	Door slides from Left to Right	11 2pcs	12 2pcs 13 2pcs



WARDROBE & CABINET DOOR HARDWARE

FLUSH SLIDING DOOR SYSTEM