

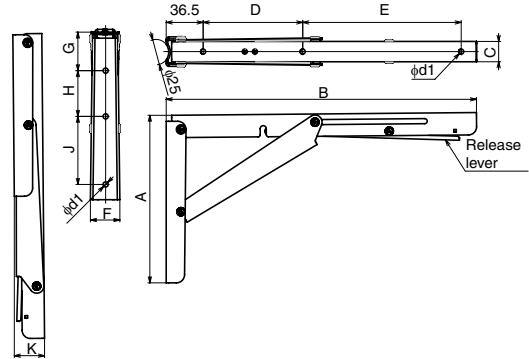
FOLDING BRACKET EB

LOAD CAPACITY 200 kgf

NSF SUS



- Automatically locks when flap is in opened position.
- Press lever to release the lock.
- Bracket with hinge function in one unit.



Item Name	A	B	C	D	E	F	G	H	J	K	d1
EB-200/EP	116	199.5	20	155	-	29	21	80	-	28.5	5
EB-303/EP	165	305.5		98	156		38	45	67		
EB-317/EP	171	317	24			36				30	6

RHS	CAD	Item Code	Item Name	Material	Finish	Load Capacity N	Load Capacity kgf	Weight (g)	Box (pcs)	Carton (pcs)
		120-041-277	EB-200/EP	Stainless Steel (SUS304)	Mirror	1716	175	332	50	-
		120-018-226	EB-303/EP	Stainless Steel (SUS304)	Mirror	1471	150	500	20	-
		120-041-278	EB-317/EP	Stainless Steel (SUS304)	Mirror	1961	200	750	25	-

RECESSED HOOKS

LATCH HOOKS

SWING HOOKS

SMALL HOOKS

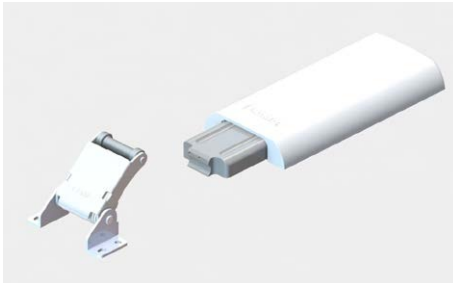
LARGE HOOKS

PANEL HANGER

BRACKETS & SHELVING SYSTEMS

DAMPER FOR EB FOLDING BRACKET EBD

Lapcon INSTRUCTION



- Designed for EB folding bracket.
- Lapcon mechanism prevents shelf from sudden drop.
- Installation position can be easily determined with the supplied template.

[Remarks]

- Make sure to have sufficient mounting surface strength.
- Please completely close shelf board with hands.
- Shelf board must be assembled to the arm with release lever.

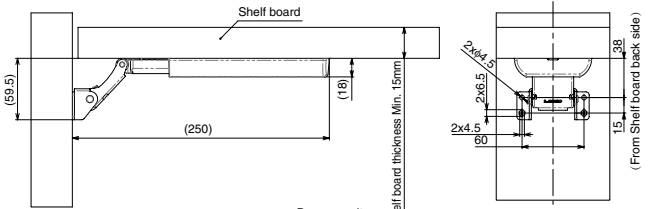
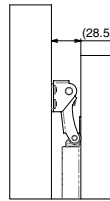
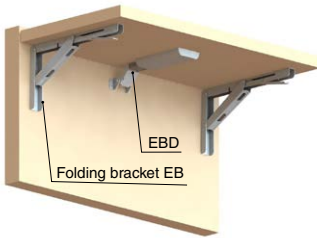
[Parts Included]

- Binding head tapping screw 4×16
- Template

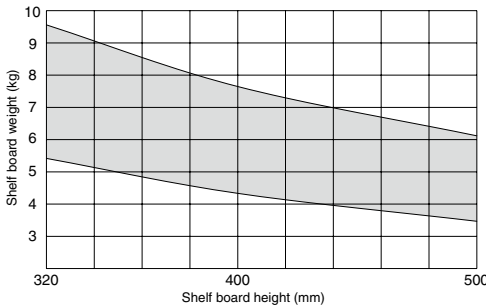
[Sold Separately]

- Folding bracket EB

[Application Example]

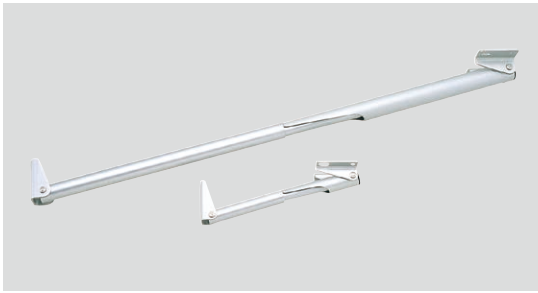


[Shelf board Size Range]

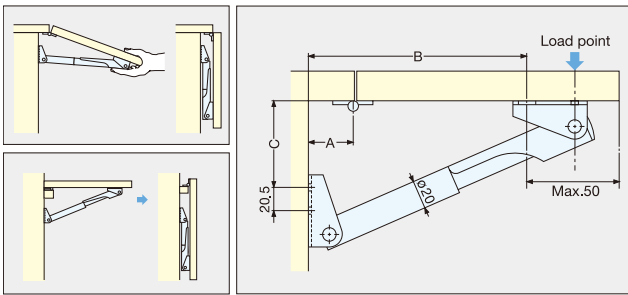


RHS	CAD	Item Code	Item Name	Material	Finish	Maximum Door Moment N·m	Maximum Door Moment kgf·cm	Flap thickness	Weight (g)	Box (pcs)	Carton (pcs)
		120-034-867	EBD	ABS/POM/Steel	Off-White/Zinc/Chrome	8.5-15	86.7-153.0	Min. 15	400	1	20

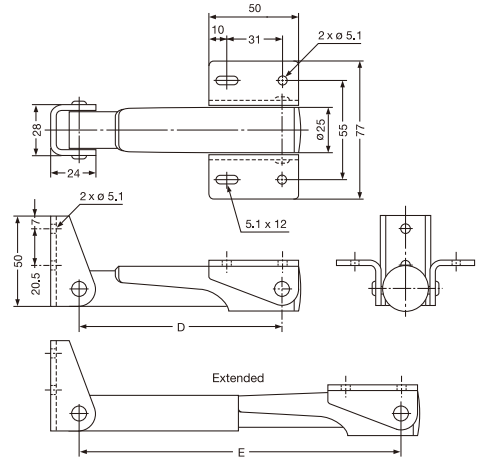
FOLDING BRACKET 388

LOAD
CAPACITY 35~80 kgf

- Automatically locks when flap is in opened position.
- Press lever to release the lock.
- For panel thickness 15~35mm
- Required Quantity:
 - Width up to 600mm...1pc
 - Width 600~1300mm...2pcs



Installation example for 38820-25



RoHS	CAD	Item Code	Item Name	Material	Finish	A	B	C	D	E	Load Capacity N	Load Capacity kgf	Weight (g)	Box (pcs)	Carton (pcs)
☑	3D	120-105-060	38820-25	Aluminium	Anodised	25~30	161	15	114	180	343	35	149	5	50
☑	3D	120-105-061	38830-25	Aluminium	Anodised	25~39	252	45	168	275.9	539	55	187	5	50
☑	3D	120-105-062	38845-25	Aluminium	Anodised	25~50	402	87	258.5	430.8	588	60	266	5	30
☑	3D	120-105-063	38860-25	Aluminium	Anodised	25~40	549	137	368.5	585.8	784	80	342	5	30

FOLDING BRACKET BOS-180, BOS-240

TEST
METHOD 6 SUS

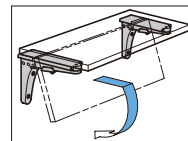
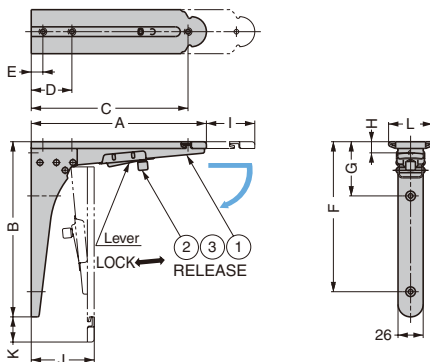
- With locking lever to prevent unexpected folding.

[Remarks]

- Please hold the shelf board when folding. Improper use or applying load to it may cause accidental injury or damage.

[Parts Included]

- BOS-180
 - Countersunk head tapping screw 4×20 (SUS)
 - Pan head tapping screw 4.5×25 (SUS)
 - Raised countersunk head tapping screw 4.5×25 (SUS)
 - Raised countersunk head tapping screw 4.5×50 (SUS)
- BOS-240
 - Countersunk head tapping screw 4×20 (SUS)
 - Pan head tapping screw 5×30 (SUS)
 - Raised countersunk head tapping screw 5×30 (SUS)
 - Raised countersunk head tapping screw 5×70 (SUS)



No.	Part Name	Material	Finish / Colour
①	Body	Stainless Steel (SUS304)	Satin
②	Lever	Brass	Nickel
③	Cover	EPDM	Black

RoHS	CAD	Item Code	Item Name	A	B	C	D	E	F	G	H	I	J	K	L	Load Capacity N/pc	Load Capacity kgf/pc	Weight (g)	Box (pcs)	Carton (pcs)
☑	3D	120-030-111	BOS-180	181	181	162	42	12	155	56	11.5	50	65	26	45.5	392	40	476	1	20
☑	3D	120-030-090	BOS-240	240	250	215	80	25	220	70	15	64	81	29	325	33	770	1	20	